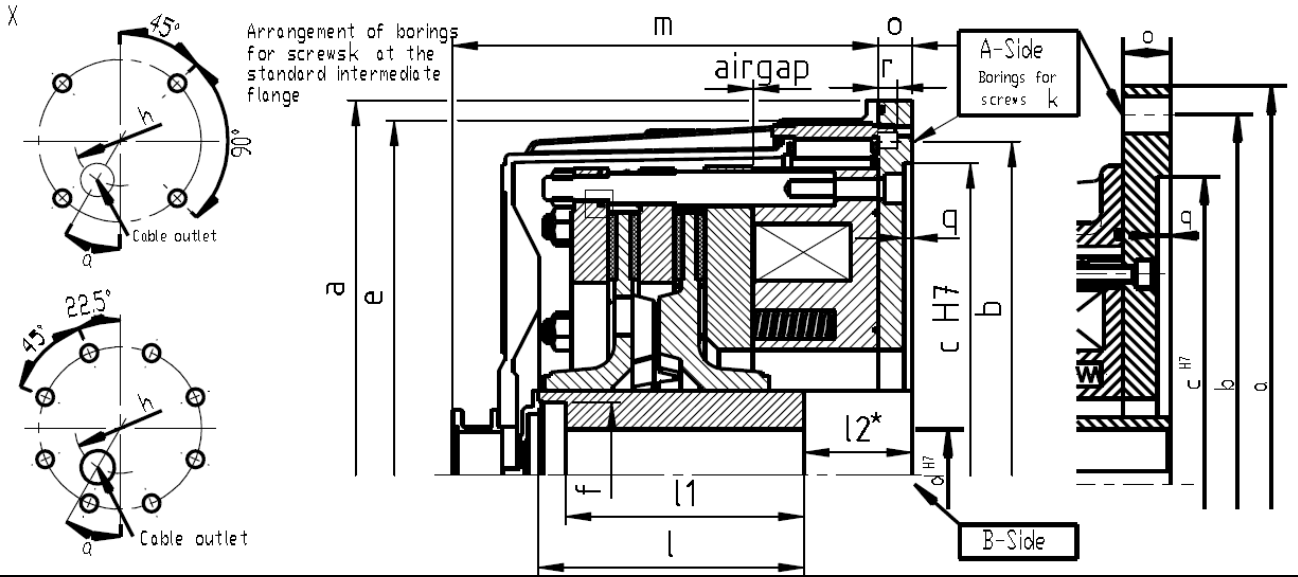


Twin Safe Electromagnetic Quad-Disc Spring-Applied Brake



| Brake size | | Twin Safe 200 | Twin Safe 320 | Twin Safe 500 | Twin Safe 800 | Twin Safe 1250 | Twin Safe 2000 | |
|---|------------------------------|-----------------------------------|---------------|---------------|---------------|----------------|----------------|------|
| Brake torque M2 ¹⁾ dynamic acc. to DIN VDE 0580 | Nm | 2000 | 3200 | 5000 | 8000 | 12500 | 20000 | |
| Mass moment of inertia | kgm ² | 0,10 | 0,26 | 0,28 | 0,65 | N.A. | N.A. | |
| Mass (weight) | kg | 215 | 310 | 395 | 455 | N.A. | N.A. | |
| max. idle speed | min ⁻¹ | 3600 | 3200 | 2800 | 2500 | N.A. | N.A. | |
| Coil at 20°C | Nominal voltage | V | 110 | 110 | 110 | N.A. | N.A. | |
| | DC | | | | | | | |
| | Nominal power | W | 344 | 435 | 495 | 553 | N.A. | N.A. |
| | Nominal current | A | 3,13 | 3,95 | 4,50 | 5,03 | N.A. | N.A. |
| Airgap Off | normal | mm | 0,7 | 0,6 | 0,6 | 0,6 | N.A. | N.A. |
| | maximum | mm | 3,2 | 4,6 | 5,0 | 5,0 | N.A. | N.A. |
| Diameter mm | B-Side | d pilot bore | | | | | | |
| | | d ^{H7} preferential bore | 70 | 90 | 100 | 100 | N.A. | N.A. |
| | | | | | | | | |
| | | d ^{H7} maximum | 75 | 110 | 110 | 110 | N.A. | N.A. |
| | e | 446 | 510 | 556 | 625 | N.A. | N.A. | |
| Length mm | f | 96 | 128 | 128 | 128 | N.A. | N.A. | |
| | h | 330 | 394 | 440 | 520 | N.A. | N.A. | |
| | l | 216 | 234 | 234 | 234 | N.A. | N.A. | |
| | l ₁ standard | 200 | 210 | 210 | 210 | N.A. | N.A. | |
| | l ₂ ²⁾ | 0 | 0 | 36,5 | 95 | N.A. | N.A. | |
| Angle | α° | | 30 | 30 | 45 | 30 | N.A. | N.A. |
| | | | | | | | | |
| Suitable standard Intermediate flanges | | A450-1 | A550-1 | A660 | A660-1 | A800 | A800-1 | |
| | | A550 | A660 | A800 | A800 | | | |
| | | A660 | A800 | | | | | |

¹⁾: Measured at 1m/s; Values are only achieved after running-in process; other brake torque on request

²⁾: Only valid for the mentioned values of dimension "o". For flanges with junction box, radial cable outlet, etc. the value shall be requested.

Dimensions of standard intermediate flanges

| Standard intermediate flange | A450 | A450-1 | A550 | A550-1 | A660 | A800 | A800-1 |
|------------------------------|------------------|--------|-------|--------|-------|-------|--------|
| Dia- meter mm | a | 450 | 450 | 550 | 550 | 660 | 800 |
| | b | 400 | 400 | 500 | 500 | 600 | 740 |
| | c H ⁷ | 350 | 350 | 450 | 450 | 550 | 680 |
| Length mm | o | 24 | 24 | 24 | 24 | 30 | 30 |
| | q | 6 | 6 | 6 | 6 | 7 | 7 |
| | r | | 17,5 | | 17,5 | | 21,5 |
| | Screws k | 8xM16 | 8xM16 | 8xM16 | 8xM16 | 8xM20 | 8xM20 |

NOTE: Double voltage is required to release the brake. A subsequent switch back to nominal voltage is required when keeping the brake released.

Keyways for keys acc. to DIN 6885/1; width accuracy P9

Protection IP67

Subject to change without notice

| Version | Datum | Name | 8-A01416300953 | Blatt 1 von 1 | |
|--------------|-------------|------------|----------------|------------------|-----|
| B/8-THO21016 | Erstellt | 16.06.2021 | | | THO |
| | Geprüft | 16.06.2021 | | | THO |
| | Freigegeben | 17.06.2021 | DIR | | |

Passing on as well as duplication of this base, utilisation and communication of her contents does not permit, until expressly conceded. Offence oblige for compensation. All rights for the case of the patent explanation or utility model registration reserve.
© DELLNER BUBENZER GmbH, Kirchen

Weitergabe sowie Vervielfältigung dieser Unterlage, Verwendung und Mitteilung ihres Inhaltes nicht gestattet, soweit nicht ausdrücklich zugestanden. Zuwiderhandlung verpflichtet zu Schadensersatz. Alle Rechte für den Fall der Patenterteilung oder Gebrauchsmuster-Eintragung vorbehalten.
© DELLNER BUBENZER GmbH, Kirchen